

PRODUCT INFORMATION

(see C-IOS Spec Sheet for complete details)

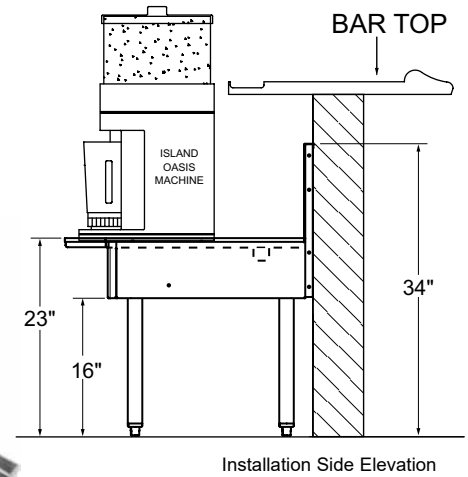
The Choice Island Oasis® Stand is designed for use with the model number SB-3X Island Oasis® machine. The 18" wide by 29" deep stand has a lowered draining work surface and extended front to allow the machine to be stored at a convenient and usable height. In most bar applications, the clear plastic ice container will be visible above the bar top.

STANDARD FEATURES

- All stainless steel construction
- Adjustable stainless steel bullet feet
- 1" deep drain pan work surface to capture excess moisture
- One-piece seamless top and backsplash featuring 1/4" radius corners for easy cleaning
- Lowered work surface with extended front
- Designed to keep the majority of the Island Oasis® (model #SB-3X) below the bar top with only the clear plastic ice tub visible above the bar top
- Chamfered front to eliminate "knee knockers"



C-IOS-18



Installation Side Elevation

*NOTE: Choice Island Oasis Stands are manufactured to order and are not returnable

ISLAND OASIS® STAND

| MODEL | LIST | LENGTH | WEIGHT |
|----------|---------|--------|--------|
| C-IOS-18 | \$1,606 | 18" | 50# |

Bar Fabrication - Choice

Choice Beer Drainers*

Pricing effective January 1, 2026

PRODUCT INFORMATION

(see C-BD Spec Sheet for complete details)

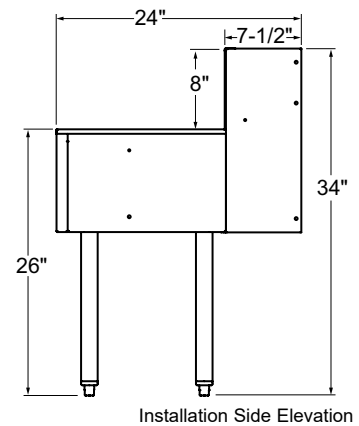
Beer Drainers have a 26" high, lowered work surface and are designed specifically for use with undercounter mounting beverage dispensers. The work surface includes a drain pan with perforated insert to serve as the drip pan for the dispenser and the backsplash is pulled forward 5" to provide access for beverage lines.

24" DEEP BEER DRAINERS

| MODEL | LIST | LENGTH | WEIGHT |
|---------|---------|--------|--------|
| C-BD-18 | \$1,211 | 18" | 55# |
| C-BD-24 | \$1,349 | 24" | 60# |
| C-BD-30 | \$1,487 | 30" | 65# |
| C-BD-36 | \$1,625 | 36" | 70# |



C-BD-18



Installation Side Elevation

*NOTE: Beer drainers are manufactured to order and are not returnable

STANDARD FEATURES

- All stainless steel construction
- Designed with lowered work surface to work in conjunction with undercounter mounting beverage dispensers
- Adjustable stainless steel bullet feet
- Backsplash pulled forward 5" to create large chaseway for beverage line access
- Front drain pan with lift-out stainless steel perforated insert