



C-FBB-24

**PRODUCT INFORMATION**

(see C-FB Spec Sheet for complete details)

**STANDARD FEATURES**

- All stainless steel construction
- Adjustable stainless steel bullet feet
- One-piece seamless top and backsplash

Choice Fillerboards are constructed of all stainless steel and include a flat work surface for situations where a draining work surface is not desired. Fillerboards are not typically used for glass storage, but are more commonly used as a place to set a printer, POS system, or cash drawer.

**19" DEEP FILLERBOARDS**

MODEL	LIST	LENGTH	WEIGHT
C-FBA-18	\$1,110	18"	40#
C-FBA-24	\$1,211	24"	45#

**24" DEEP FILLERBOARDS**

C-FBB-18	\$1,242	18"	45#
C-FBB-24	\$1,371	24"	50#

\*NOTE: Fillerboards are manufactured to order and are not returnable

**FILLERBOARD ACCESSORIES**

MODEL	DESCRIPTION	LIST	WGT
C-SR-18	18" single speed rail	\$229	6#
C-SR-24	24" single speed rail	\$251	7#
C-DR-18	18" double speed rail	\$456	11#
C-DR-24	24" double speed rail	\$496	14#
C-LSA-F	Left side splash for C-FBA models	\$189	4#
C-RSA-F	Right side splash for C-FBA models	\$189	4#
C-LSB-F	Left side splash for C-FBB models	\$220	5#
C-RSB-F	Right side splash for C-FBB models	\$220	5#



C-RBD-18

**PRODUCT INFORMATION**

(see C-RDB Spec Sheet for complete details)

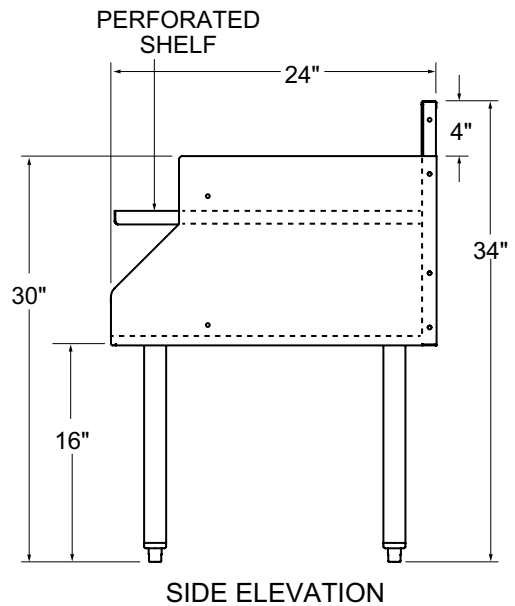
**STANDARD FEATURES**

- All stainless steel construction
- Adjustable stainless steel bullet feet
- One-piece seamless top and backsplash featuring 1/4" radius corners for easy cleaning
- Corrugated work surface
- Lift-out stainless steel perforated shelf for stacking glassware

\*NOTE: Recessed drainboards are manufactured to order and are not returnable

**RECESSED DRAINBOARDS**

MODEL	LIST	LENGTH	WEIGHT
C-RDB-12	\$1,301	12"	50#
C-RDB-18	\$1,445	18"	55#
C-RDB-24	\$1,598	24"	60#



Recessed drainboards have the same corrugated work surface as normal drainboards except the work surface has been lowered to allow stacking of glassware. A perforated shelf is placed on top of the first level of glassware and a second layer of glassware is stacked on top of it. Recessed drainboards work best when only one style of glassware is being stored.