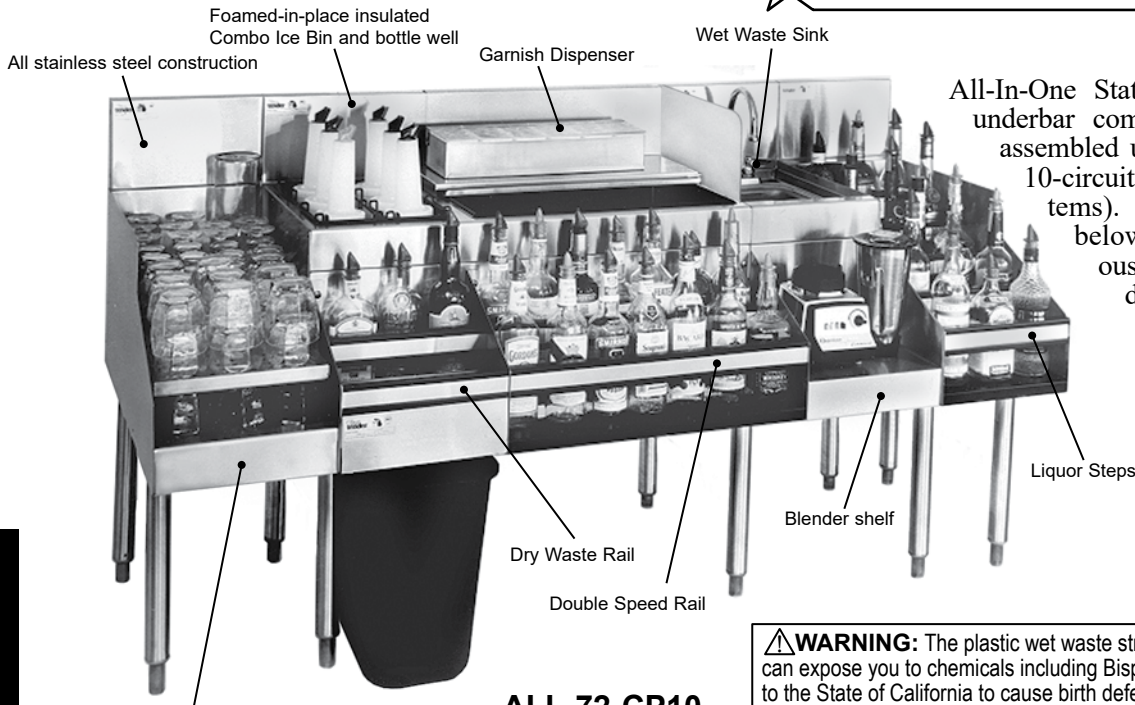


All faucets are certified low lead compliant



All-In-One Stations combine different underbar components into one pre-assembled unit (also available with 10-circuit cold plate for soda systems). The ALL-72 pictured below illustrates the various components. Read the descriptions below each model for a complete list of standard components. (see ALL Spec Sheet for complete details)

ALL-72-CP10

WARNING: The plastic wet waste strainer included with this product can expose you to chemicals including Bisphenol A (BPA), which is known to the State of California to cause birth defects or other reproductive harm. For more information, go to www.P65Warnings.ca.gov. **Warning applies to State of California only.** Part #03000483

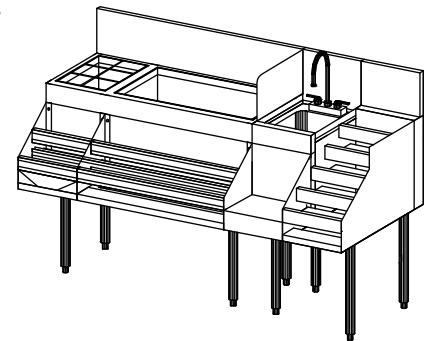
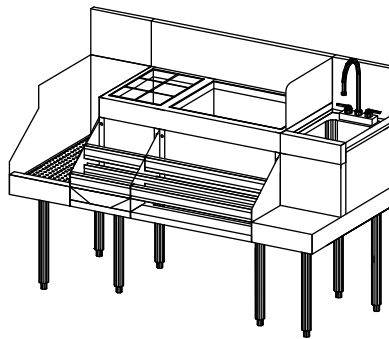
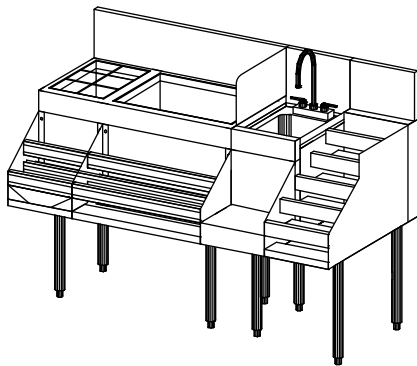
Bar Fabrication - Main Line

ALL-IN-ONE STATION ACCESSORY

MODEL	DESCRIPTION	LIST	WEIGHT
TC-BS	Tubing chase centered in backsplash of ice bin	\$81	N/A



TC-BS



ALL-60A

MODEL	LIST	WT	COLD PLATE
ALL-60A	\$9,755	200#	No
ALL-60A-CP10	\$12,030	270#	YES

ALL-60B

MODEL	LIST	WT	COLD PLATE
ALL-60B	\$9,165	200#	No
ALL-60B-CP10	\$11,440	270#	YES

ALL-66A

MODEL	LIST	WT	COLD PLATE
ALL-66A	\$10,080	215#	No
ALL-66A-CP10	\$12,443	285#	YES

60" ALL-IN-ONE STATION

- 36" Combo Ice Bin
- 12" Single Wet Waste Sink w/Left Splash
- 12" Blender Shelf with Towel Ring
- 12" Liquor Steps
- 36" Double Speed Rail
- 12" Dry Waste Rail
- Garnish Dispenser

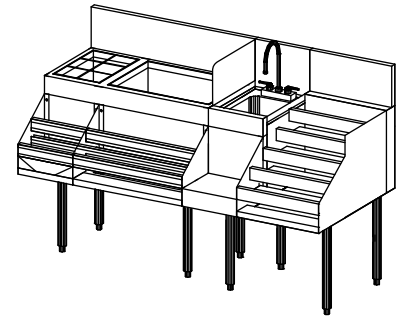
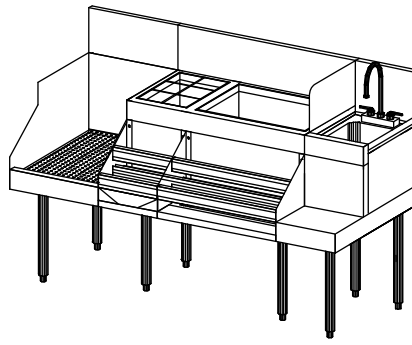
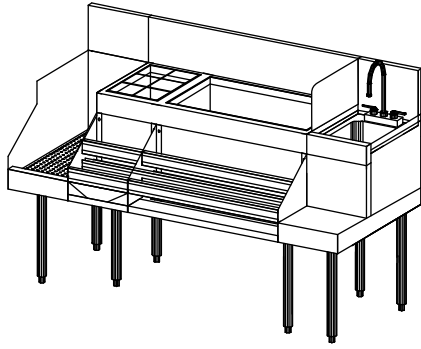
60" ALL-IN-ONE STATION

- 12" Recessed Drainboard
- 36" Combo Ice Bin
- 12" Single Wet Waste Sink w/Left Splash
- 12" Blender Shelf with Towel Ring
- 36" Double Speed Rail
- 12" Dry Waste Rail
- Garnish Dispenser

66" ALL-IN-ONE STATION

- 42" Combo Ice Bin
- 12" Single Wet Waste Sink w/Left Splash
- 12" Blender Shelf with Towel Ring
- 12" Liquor Steps
- 42" Double Speed Rail
- 12" Dry Waste Rail
- Garnish Dispenser

*NOTE: All-In-One Stations are manufactured to order and are not returnable



ALL-66B

MODEL	LIST	WT	COLD PLATE
ALL-66B	\$9,490	215#	No
ALL-66B-CP10	\$11,853	285#	Yes

ALL-66C

MODEL	LIST	WT	COLD PLATE
ALL-66C	\$9,375	215#	No
ALL-66C-CP10	\$11,650	285#	Yes

ALL-66D

MODEL	LIST	WT	COLD PLATE
ALL-66D	\$9,970	215#	No
ALL-66D-CP10	\$12,245	285#	Yes

66" ALL-IN-ONE STATION

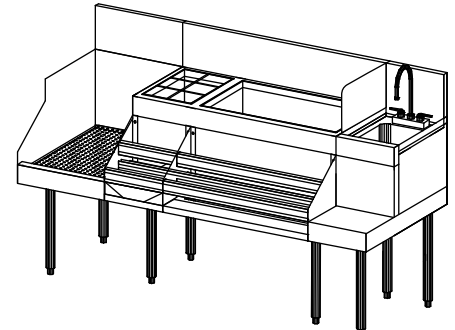
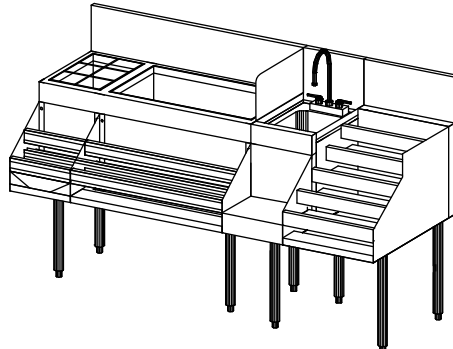
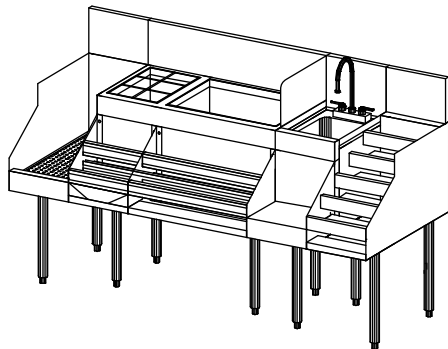
- 12" Recessed Drainboard
- 42" Combo Ice Bin
- 12" Single Wet Waste Sink w/Left Splash
- 12" Blender Shelf with Towel Ring
- 42" Double Speed Rail
- 12" Dry Waste Rail
- Garnish Dispenser

66" ALL-IN-ONE STATION

- 18" Recessed Drainboard
- 36" Combo Ice Bin
- 12" Single Wet Waste Sink w/Left Splash
- 12" Blender Shelf with Towel Ring
- 36" Double Speed Rail
- 12" Dry Waste Rail
- Garnish Dispenser

66" ALL-IN-ONE STATION

- 36" Combo Ice Bin
- 12" Single Wet Waste Sink w/Left Splash
- 12" Blender Shelf with Towel Ring
- 18" Liquor Steps
- 36" Double Speed Rail
- 12" Dry Waste Rail
- Garnish Dispenser



ALL-72

MODEL	LIST	WT	COLD PLATE
ALL-72	\$11,353	240#	No
ALL-72-CP10	\$13,628	310#	Yes

ALL-72A

MODEL	LIST	WT	COLD PLATE
ALL-72A	\$10,295	240#	No
ALL-72A-CP10	\$12,658	310#	Yes

ALL-72B

MODEL	LIST	WT	COLD PLATE
ALL-72B	\$9,700	240#	No
ALL-72B-CP10	\$12,063	310#	Yes

72" ALL-IN-ONE STATION

- 12" Recessed Drainboard
- 36" Combo Ice Bin
- 12" Single Wet Waste Sink w/Left Splash
- 12" Blender Shelf with Towel Ring
- 12" Liquor Steps
- 36" Double Speed Rail
- 12" Dry Waste Rail
- Garnish Dispenser

72" ALL-IN-ONE STATION

- 42" Combo Ice Bin
- 12" Single Wet Waste Sink w/Left Splash
- 12" Blender Shelf with Towel Ring
- 18" Liquor Steps
- 42" Double Speed Rail
- 12" Dry Waste Rail
- Garnish Dispenser

72" ALL-IN-ONE STATION

- 18" Recessed Drainboard
- 42" Combo Ice Bin
- 12" Single Wet Waste Sink w/Left Splash
- 12" Blender Shelf with Towel Ring
- 42" Double Speed Rail
- 12" Dry Waste Rail
- Garnish Dispenser

Bar Fabrication - Main Line

*NOTE: All-In-One Stations are manufactured to order and are not returnable

⚠WARNING: The plastic wet waste strainer included with this product can expose you to chemicals including Bisphenol A (BPA), which is known to the State of California to cause birth defects or other reproductive harm. For more information, go to www.P65Warnings.ca.gov. **Warning applies to State of California only.** Part #03000483