



ACB-18 (Shown without attached equipment)

PRODUCT INFORMATION

(see ACB Spec Sheet for complete details)

The Add-On Cabinet Base is designed to be installed beneath standard underbar equipment to provide additional storage • It can also enhance the look of your bar by eliminating the need to store loose items on the floor and making plumbing less visible • The Add-On Cabinet Base features a stainless steel floor that does not go all the way to the back of the cabinet, which provides an access opening for plumbing • The removable stainless steel floor has radius corners for easy cleaning • The interior walls are dual panel constructed for an easy to clean, smooth interior

*NOTE: Add-On Cabinet Bases are manufactured to order and are not returnable

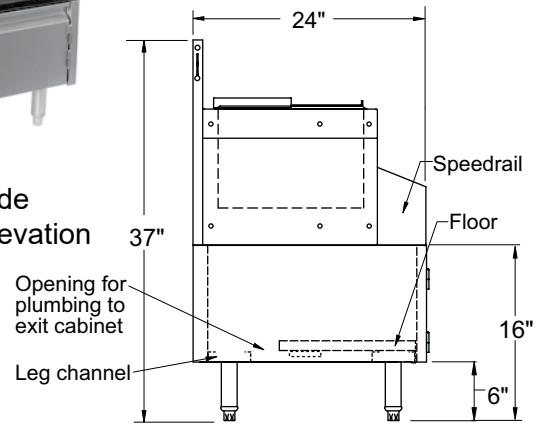
ADD-ON CABINET BASES

MODEL	LIST	DOOR	LENGTH	WEIGHT
ACB-12	\$1,249	One	12"	20#
ACB-14	\$1,261	One	14"	22#
ACB-16	\$1,272	One	16"	24#
ACB-18	\$1,303	One	18"	25#
ACB-20	\$1,331	One	20"	27#
ACB-22	\$1,361	One	22"	29#
ACB-24	\$1,595	Two	24"	30#
ACB-26	\$1,597	Two	26"	32#
ACB-28	\$1,627	Two	28"	32#
ACB-30	\$1,658	Two	30"	35#
ACB-32	\$1,688	Two	32"	37#
ACB-34	\$1,717	Two	34"	37#
ACB-36	\$1,748	Two	36"	40#
ACB-38	\$1,777	Two	38"	42#
ACB-40	\$1,823	Two	40"	42#
ACB-42	\$1,855	Two	42"	45#
ACB-44	\$1,885	Two	44"	47#
ACB-46	\$1,913	Two	46"	47#
ACB-48	\$1,945	Two	48"	50#



ACB-18 with LDA-18S attached

Side Elevation



Bar Fabrication - Main Line

PRODUCT INFORMATION

(see PCB Spec Sheet for complete details)

Available in 18" and 24" lengths, POS Cabinets have a 26" high work surface to accommodate a cash drawer and POS monitor • A louvered door to ventilate the storage cabinet is standard • The work surface includes a grommeted cord access hole



PCB-24

STANDARD FEATURES

- All stainless steel construction with adjustable bullet feet
- One-piece, seamless top and backsplash
- Louvered door features integral handle
- Door lock standard
- Special 26" high work surface height to accommodate cash drawer and POS monitor
- Grommeted cord access hole in work surface
- Large access hole in back wall of unit
- Smooth interior walls for easy cleaning and a finished appearance

24" DEEP POS CABINETS

MODEL	LIST	LENGTH	WEIGHT
PCB-18	\$3,134	18"	75#
PCB-24	\$3,452	24"	85#



LSP & RSP Accessories (shown on PCB-24)

POS CABINET ACCESSORIES*

MODEL	DESCRIPTION	LIST	WEIGHT
LSP	Left side splash	\$189	4#
RSP	Right side splash	\$189	4#

*NOTE: Verify cash drawer width before ordering side splash accessories