

# Glastender®

DIRECT DRAW KEG CAPACITIES

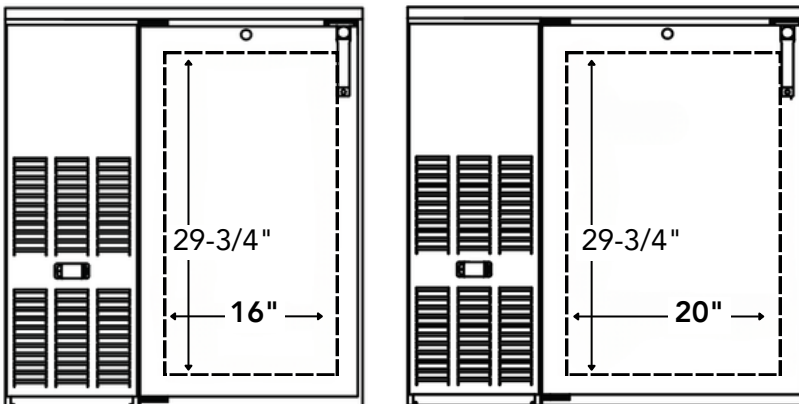


# Front Serviced

## Keg Sizes



## Door Openings



C1FB32, C1FB52,  
C1FB72, C1FB92

C1FB36, C1FB60, KC72,  
C1FB84, C1FB108

Front Serviced coolers feature a 16" or 20" door opening.

16" door opening models hold 1/4 bbl and 1/6 bbl kegs. They do **NOT** hold 1/2 barrels

20" door opening models fit 1/2 bbl, 1/4 bbl and 1/6 bbl kegs.

For more information please view our C1FB spec sheet.



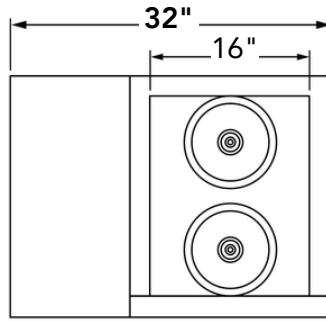
# Designer

Email [sales@glastender.com](mailto:sales@glastender.com) for CAD files or start designing your layout at <https://designer.glastender.com/>

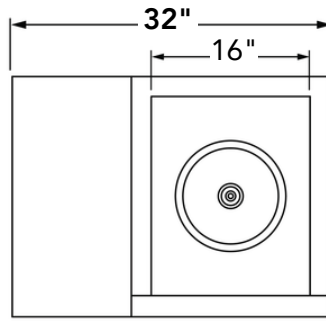
# Front Serviced



**C1FB32 | 16" Door Opening**



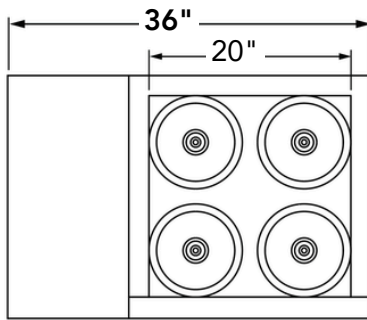
2 - 1/6 Barrels



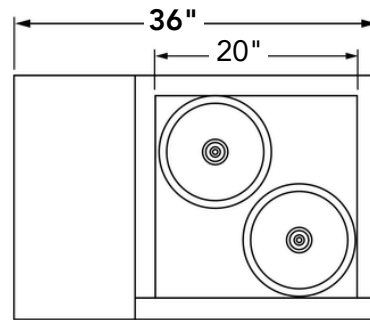
1 - 1/4 Barrel



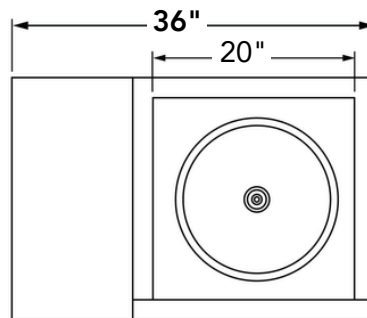
**C1FB36 | 20" Door Opening**



4 - 1/6 Barrels



2 - 1/4 Barrels

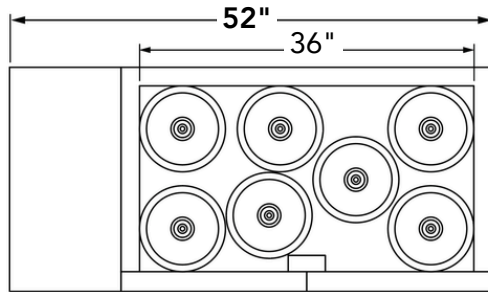


1 - 1/2 Barrel

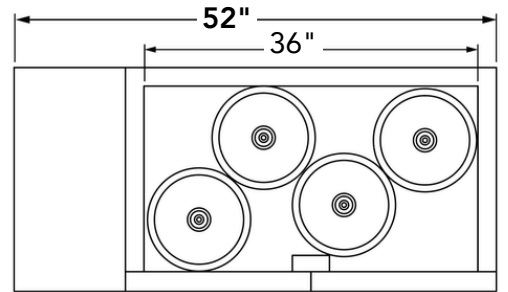
# Front Serviced



**C1FB52 | 16" Door Opening**



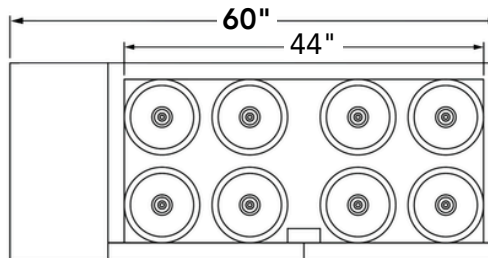
7 - 1/6 Barrels



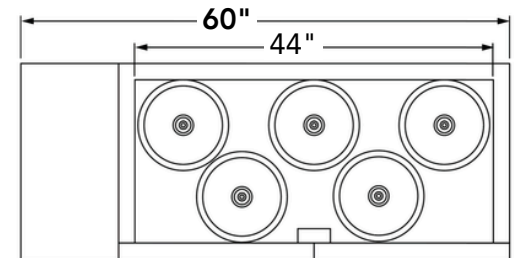
4 - 1/4 Barrels



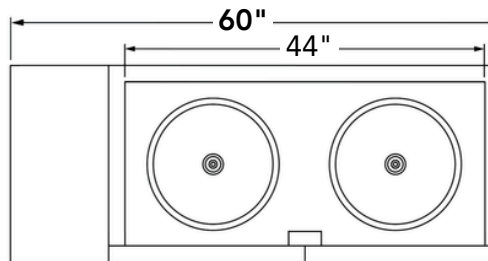
**C1FB60 | 20" Door Opening**



8 - 1/6 Barrels

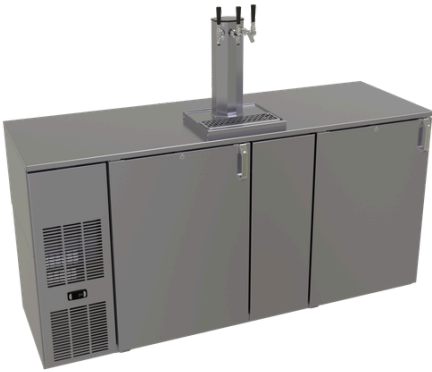


5 - 1/4 Barrels

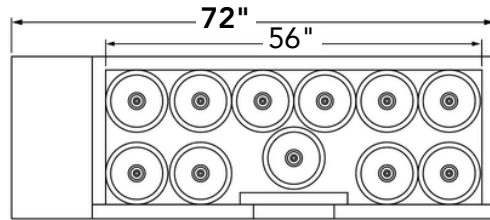


2 - 1/2 Barrels

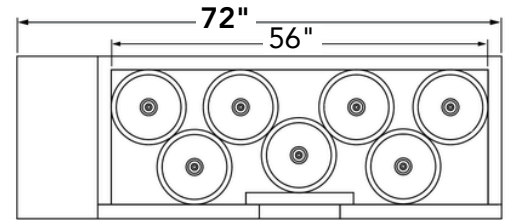
# Front Serviced



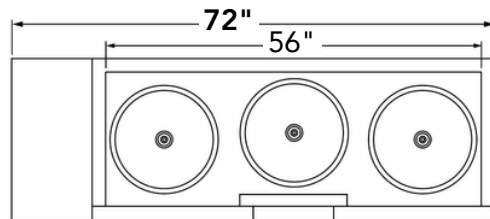
## KC72 | 20" Door Opening



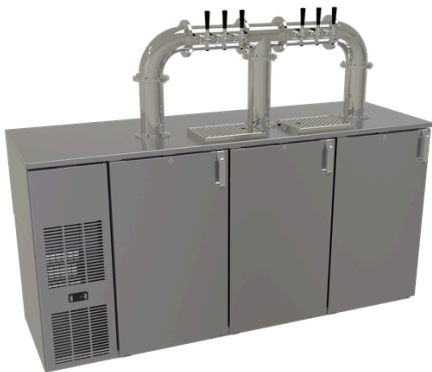
11 - 1/6 Barrels



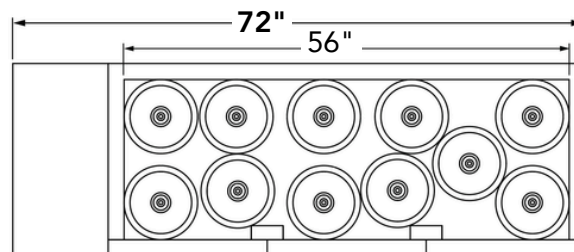
7 - 1/4 Barrels



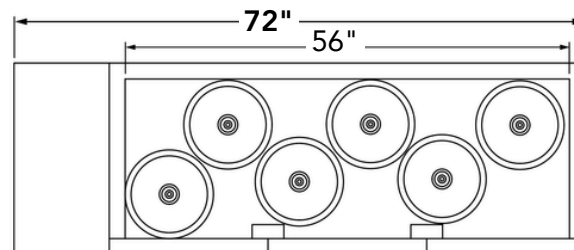
3 - 1/2 Barrels



## C1FB72 | 16" Door Opening

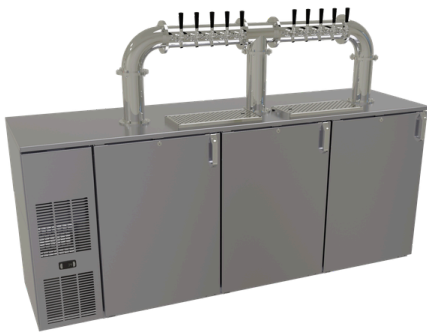


11 - 1/6 Barrels

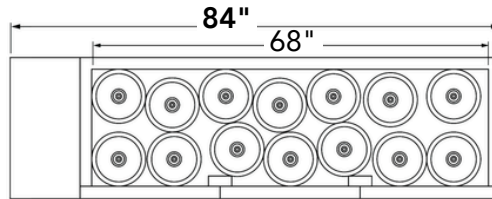


6 - 1/4 Barrels

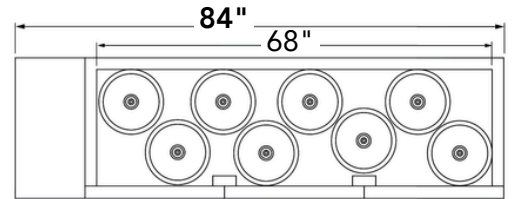
# Front Serviced



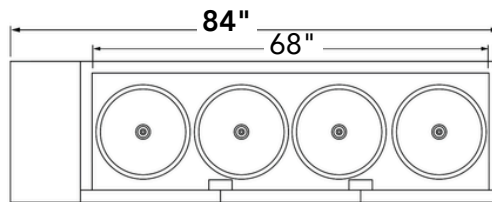
## C1FB84 | 20" Door Opening



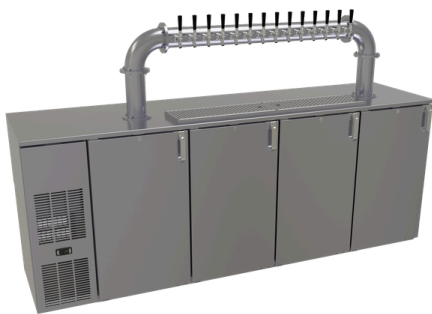
14 - 1/6 Barrels



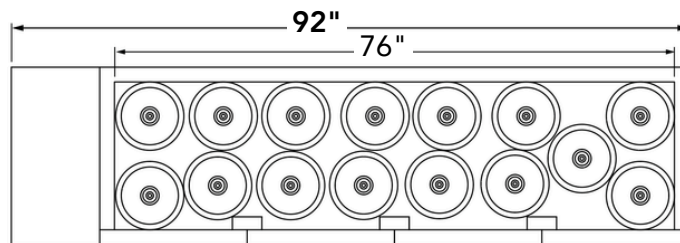
8 - 1/4 Barrels



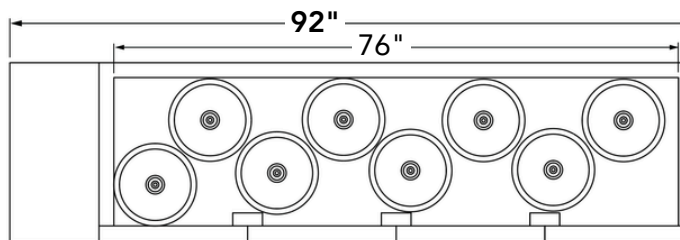
4 - 1/2 Barrels



## C1FB92 | 16" Door Opening

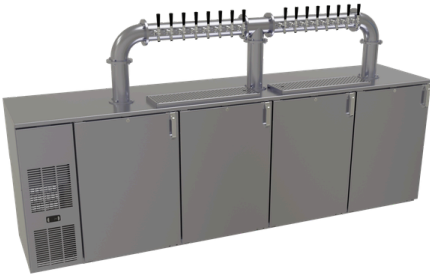


15 - 1/6 Barrels

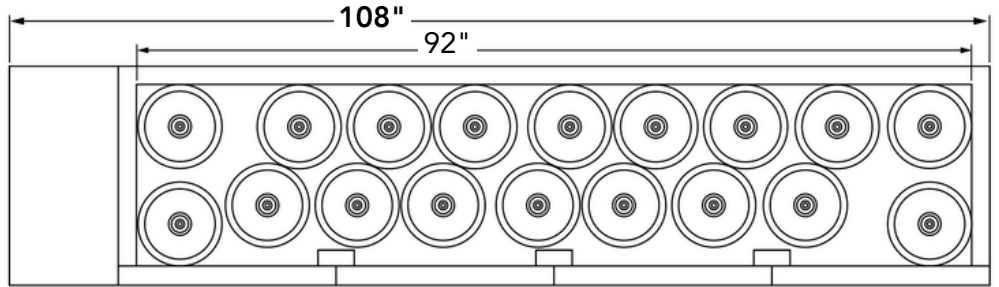


8 - 1/4 Barrels

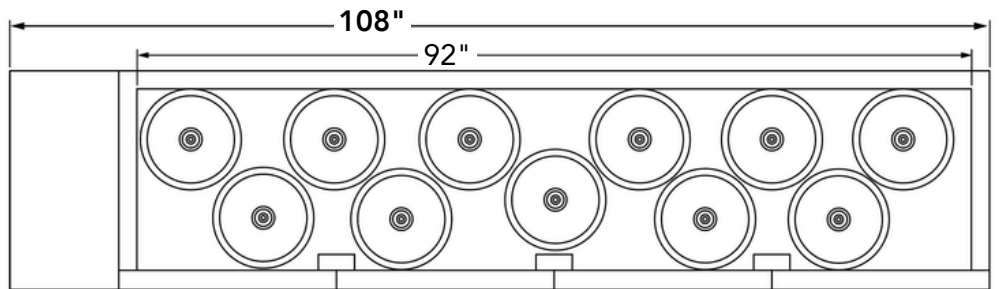
# Front Serviced



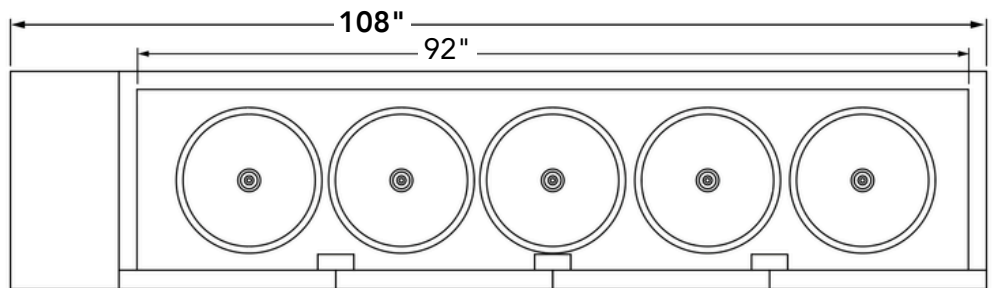
C1FB108 | 20" Door Opening



18 - 1/6 Barrels



11 - 1/4 Barrels



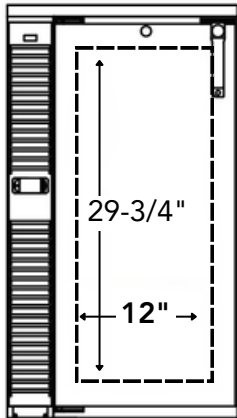
5 - 1/2 Barrels

# Side Serviced

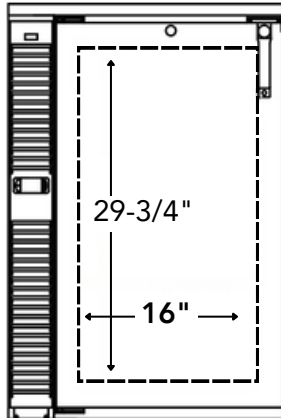
## Keg Sizes



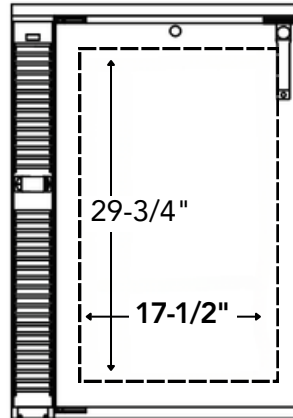
## Door Openings



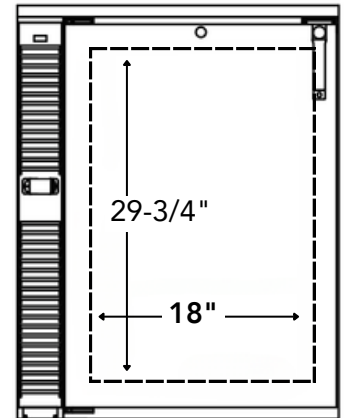
C1SB20, C1SB36



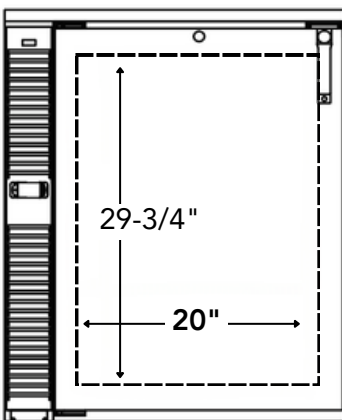
C1SB44



C1SB24



C1SB48



C1SB28

Side Serviced coolers feature a 12", 16", 17-1/2", 18, or 20" door openings.

12" and 16" door openings do **NOT** hold 1/2 barrels.

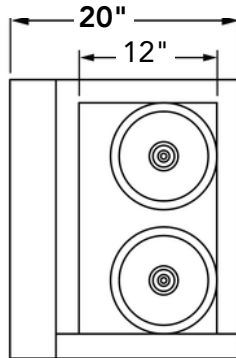
17-1/2", 18" and 20" door opening models fit 1/2 bbl, 1/4 bbl, and 1/6 bbl kegs.

*For more information please view our C1SB spec sheet.*

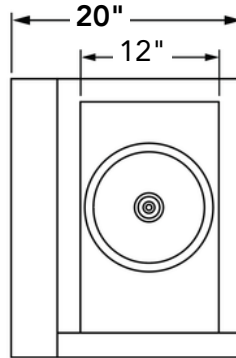
# Side Serviced

## C1SB20 | 12" Door Opening

For (2) 1/6 kegs, one keg must have a low profile keg tap (05001026).



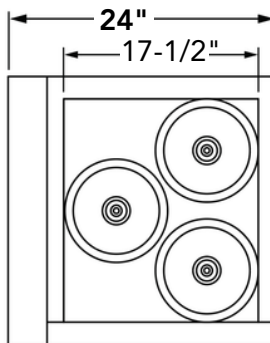
2 - 1/6 Barrels



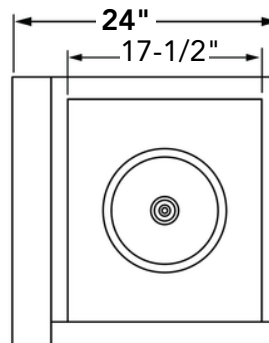
1 - 1/4 Barrel

## C1SB24 | 17-1/2" Door Opening

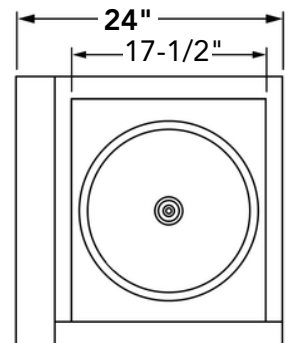
For (3) 1/6 kegs, one keg must have a low profile keg tap (05001026).



3 - 1/6 Barrels



1 - 1/4 Barrel



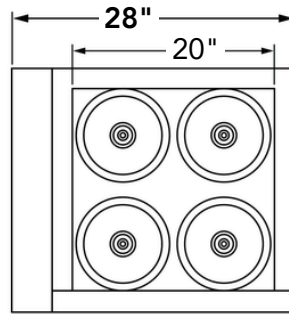
1 - 1/2 Barrel

# Side Serviced

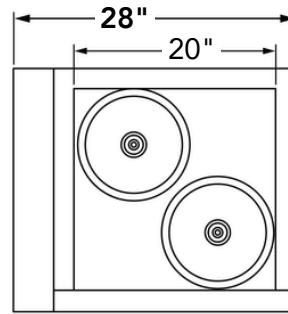


## C1SB28 | 20" Door Opening

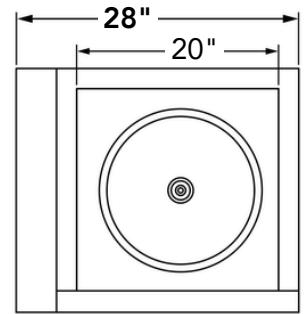
For (4) 1/6 kegs, two kegs must have a low profile keg tap (05001026).



4 - 1/6 Barrels



2 - 1/4 Barrels

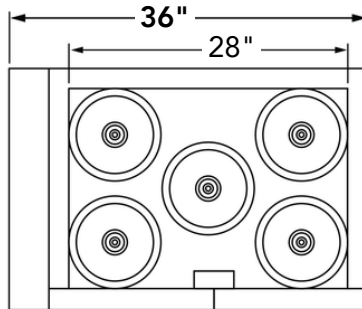


1 - 1/2 Barrel

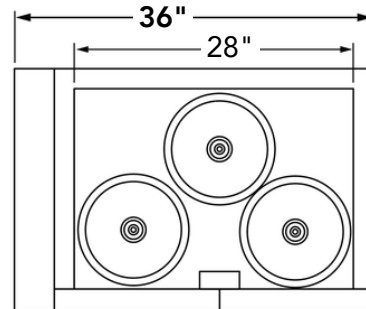


## C1SB36 | 12" Door Opening

For (5) 1/6 kegs, two kegs must have a low profile keg tap (05001026).



5 - 1/6 Barrels



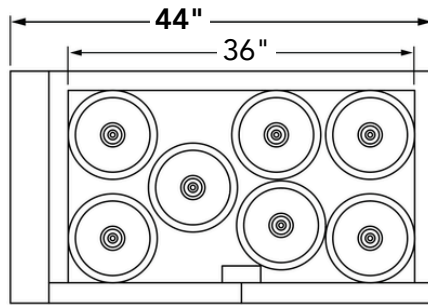
3 - 1/4 Barrels

# Side Serviced

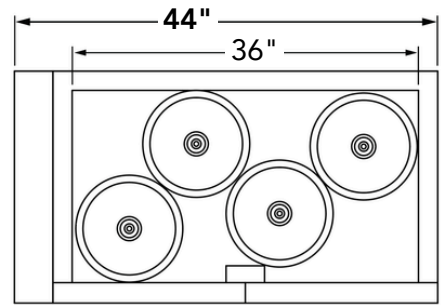


## C1SB44 | 16" Door Opening

For (7) 1/6 kegs, two kegs must have a low profile keg tap (05001026).



7 - 1/6 Barrels

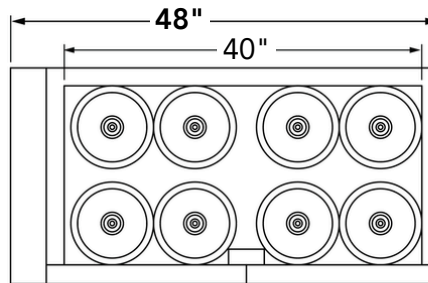


4 - 1/4 Barrels

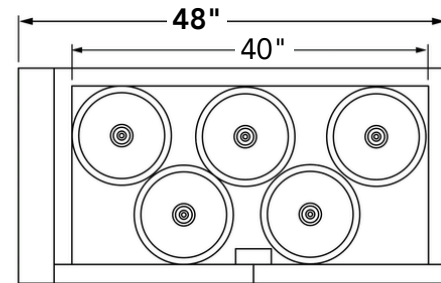


## C1SB48 | 18" Door Opening

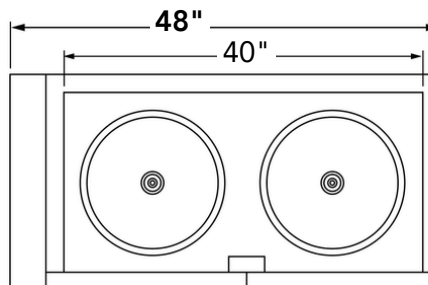
For (8) 1/6 kegs, two kegs must have a low profile keg tap (05001026).



8 - 1/6 Barrels



5 - 1/4 Barrels



2 - 1/2 Barrels



**Glastender®**

[www.glastender.com](http://www.glastender.com) | [marketing@glastender.com](mailto:marketing@glastender.com)